

## Highlights

### MICRO-SESAME INTEGRATION

Once the virtual communication port is configured with the supplied software, this COM port is used in MICRO-SESAME as with a physical COM port. All you have to do then is to configure the MODBUS line (Master or Slave) in MICRO-SESAME.

### EXEMPLE OF USE

For MODBUS : Industrial control units, fire protection systems (Siemens, DEF ...), BMS (DIRIS of SOCOMEC).  
For generic text : Video matrices (GENETEC ...), display panels, intrusion systems other than TILLYS, virtual access control, detection cables (Intrepid from SORHEA), etc.

### EASY MAINTENANCE

Connections and operating states are indicated by lights (LED) for commissioning and for easy maintenance.

## Main features

- The converter is powered via a AC adapter.
- The configuration of the converter and the network settings is performed via a intuitive graphical interface (DeviceInstaller) provided with the module.
- Configuration is made from a PC equipped with an IP link.
- In MODBUS, the creation of a virtual communication port is managed with a second software provided (CPR Manager).
- The MODBUS Master or Slave line is to be configured in MICRO-SESAME.

# IP-C821 CONVERTER



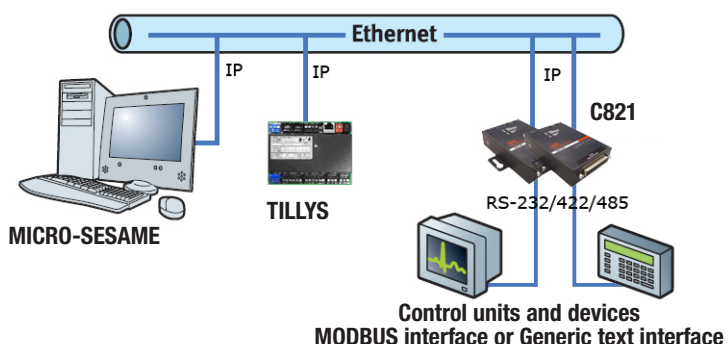
## MODBUS RTU or generic text interface

The C821 Ethernet converters ensure the communication between the MICRO-SESAME system and the control units from third-party brands. It also ensure the communication between MICRO-SESAME and RS-232 RS-422 or RS-485 connected devices by serial port.


Micro-SESAME directly interacts with each equipment via the Ethernet network.

Available in 1-port only, these converters are small modules with screw mounting, for integration in a case.

The interfacing of a Modbus control is accomplished via a provided software, which creates a virtual and configurable communication port.



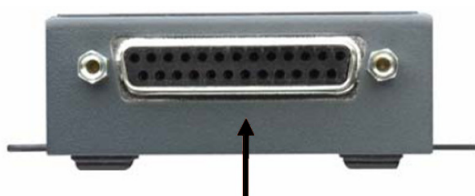
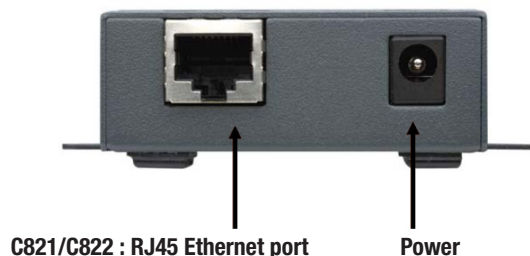
## INTEGRATED ACCESS CONTROL SYSTEM

TERMINAL BLOCK & SPECIALISED CONNECTORS	TILLYS NG CONTROL UNIT	SPECIALISED MODULES	ACCESS CONTROL READERS	CONTACTS & BUTTONS
				

# IP-C821 CONVERTER

## Dimensions

**C821 dimensions : 90mm x 64 mm x 23 mm**



## Product references

### IP converters range :

- C821-BT : Programmable IP converter module RS-232/422/485, for connection of 1 control unit in MODBUS or generic text, case mounting.
- C811A-RD : Programmable IP converter module RS-232/422/485, for connection of MTCA and MTES modules, DIN rail mounting.

## Technical details

- Power supply : 9 to 30 VDC
- Consumption : 1.5 W Max
- Network communication : Base T 10/100 Mb Ethernet, RJ 45 connector
- Connectors : RS-232/422/485 on 1 DB25 port
- Reports : LED for power status, network and operating status (red/green)
- Materials : Metal, IP30
- Connectors : RS-232/422/485 on 1 DB25 port
- Dimensions : 90 x 64 x 23 mm
- Operating humidity : 10 to 90%
- Operating temperature : 0 ° to +60°C
- Storage temperature : -45 ° to +85°C
- Weight : 0,200 kg

Sales Contact : sales@til-technologies.com